



三机一体(蜂巢转轮型三机一体)

3 in 1 Compact Dehumidifying Dryers

TDB

三机一体(蜂巢 转轮型三机一体) 3 in 1 Compact Dehumidifying Dryers

TDB

乃是集合除湿，干燥，送料三种功能于一机。三机一体的设计不占空间，体积小特别适用于自动化程度高，空间紧凑的场所。全机采用微电脑控制，控制操作简单，性能稳定，能耗更低，干燥风量50~300 m3/hr。此外也针对光学级产品之生产制造而设计光学级三机一体除湿干燥机，以满足客户不同的需求。

This series integrate the function of dehumidifying, drying, and two-stage conveying into one unit with compact design to save space, ideal to high demands of automation system and limited working space. It adapts PLC controller with the superior features on easy operation, stable function, and low power consumption. The drying air flow ranges from 50~300 m3/hr. In addition, we design optic class 3 in 1 compact dehumidifying dryers for optic products to satisfy with customers' various demands.

陶瓷蜂巢转轮除湿机
Ceramics Honeycomb Rotor Dehumidifier
50-300风量Air volume



全不锈钢保温下吹式干燥机
Full stainless insulated hopper dryer
(hot air down -blowing type)25-300KG



全不锈钢二段或三段送料机 管中无料装置
Full stainless autoloader for 2 -stage or 3- stage
conveying (no residual material in the pipe)



高质量高效率的干燥输送系统
High-quality and high-efficiency
drying delivery system

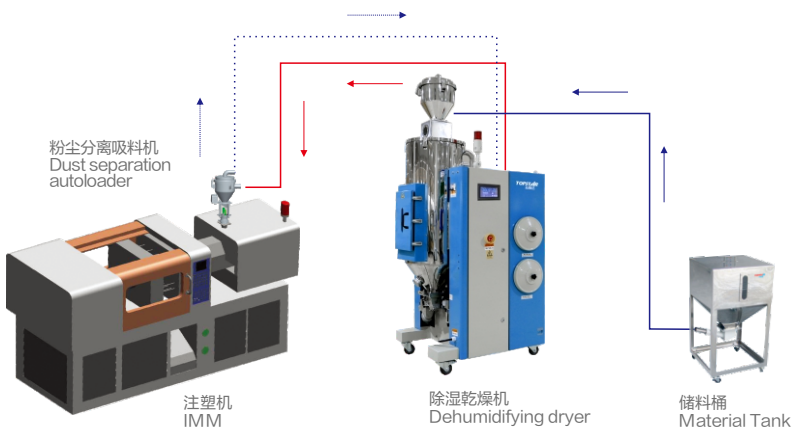


● 特点 Features

- 标准型三机一体除湿机都配备蜂巢转轮，可得到稳定性好的低露点干燥空气。
- 集除湿、干燥、二段送料三种功能于一体，并可选择三段送料功能。
- 双层保温干燥料桶采用下吹式风管设计，防止热能流失，提高干燥效率。
- 除湿系统采用双冷却器结构，确保更低回风温度及露点。
- 送料系统配备截料阀，确保料管中无残余原料。
- 多重保护装置。
- 光学级机型所有原料接触面采用不锈钢镜面抛光处理，并且搭配密闭回路的送料系统，可避免干燥后的原料因接触外界空气而再度回潮。
- 采用PID温度控制系统，可精准控制再生温度，确保露点的稳定性。
- 内部装有回风过滤器，确保蜂巢转轮不受原料粉尘污染。
- 采用国外高级进口组件，提高性能及延长使用寿命，节省维修成本。
- 外型粉体烤漆，美观大方。

- 3 in 1 compact dehumidifying dryers are equipped with honeycomb rotor which can acquire stable low dew-point drying air.
- To integrate the function of dehumidifying, drying and two-stage conveying into single unit. Three-stage conveying function is optional.
- Double-wall insulated hopper dryers features down-blowing pipe design to avoid heat dispersion for improving drying efficiency.
- The dehumidifying system employ double coolers for ensuring lower return air temperature and dew-point value.
- Feeding system is equipped with shut-off valve to ensure no remaining material in hopper tube.
- Multiple safety protection device.
- Optical-class models use mirror polished treatment on the material contact surface to avoid material contamination and collocate feeding system with closed-loop in order to avoid the possibility of moisture regain for absorbing outside air during material conveying.
- To adopt P.I.D temperature controller to accurately control regenerative temperature to ensure dew-point stable.
- Return air filter is installed inside to ensure no powder & dust contamination to the honeycomb rotor.
- Using imported superb parts which enhance function and extend service life for saving maintenance cost.
- Powder coated frame of machine with exquisite appearance.

● 一对一除湿干燥送料系统 1 to 1 Dehumidifying drying and feeding System

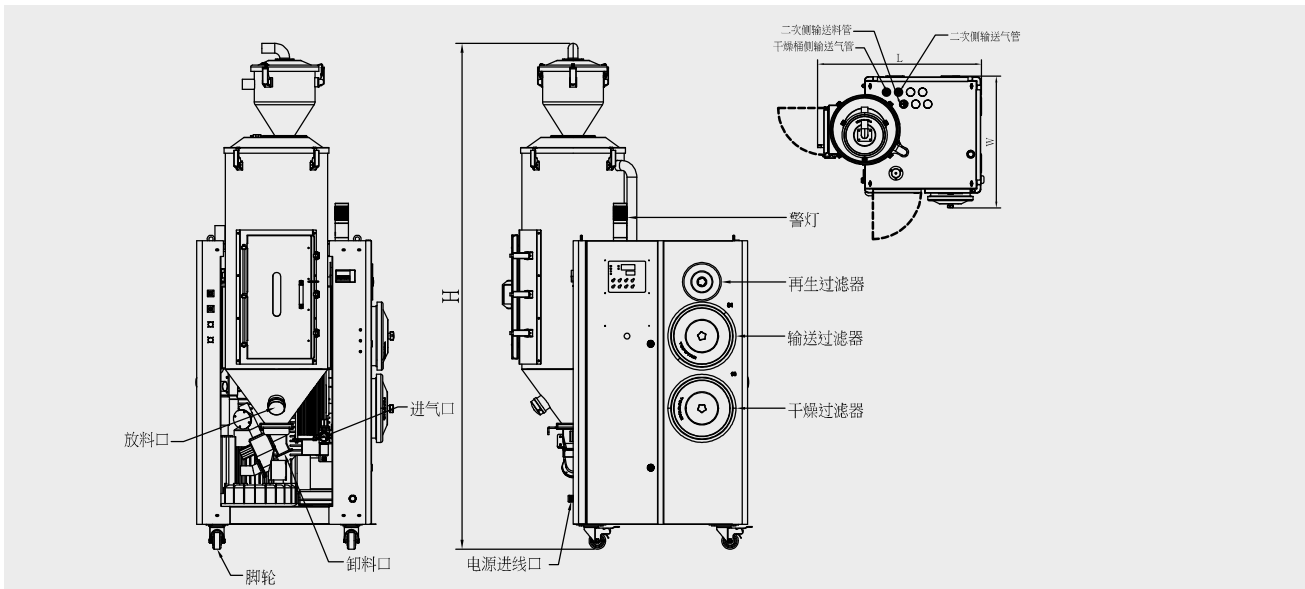
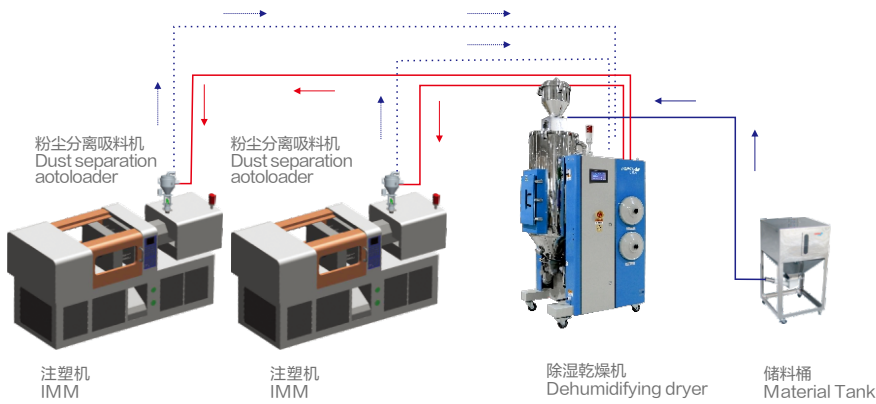


原料除尘装置获得实用新型专利
Practical New Patent for Dust Filter Device

专利号/Patent No : ZL
201120301776.9

该专利亦可应用节能型三机一体，
中央供料系统，自动送料系统
The Patent can be applied to 3
in 1 Heatless Dehumidifying
Dryers (Energy - Saving
type), Centralized Feeding
System, Feeding & Conveying
System

● 一对二除湿干燥送料系统 1 to 2 Dehumidifying drying and feeding System



机型	TDB-25C	TDB-50C	TDB-75C	TDB-100C	TDB-150C	TDB-200C	TDB-300C
L (mm)	953	953	1174	1250	1455	1532	1940
W (mm)	766	766	918	963	996	994	1018
H (mm)	1800	2038	2105	2282	2480	2465	2839

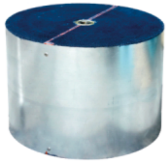
● 光学级三机一体除湿干燥机主零件 Main Components Optical Type of 3 in 1 Dehumidifying Dryers



控制器 Control panel

提供数位设定及显示干燥温度、供料时间、系统运作状况及错误讯息。并设有密码、不同参数设定，干燥温度检测等。

Provide digital setting and display drying temperature, material feeding time, system operation status and error information. And is equipped with password, different parameters setting, the drying temperature detection, etc.



蜂巢转轮 Honeycomb Rotor

蜂巢式陶瓷除湿转轮是以陶瓷纤维为基材形成蜂巢转轮，然后利用特殊化学合成两段长晶方法，把吸湿剂硅胶和分子筛子均匀长晶在陶瓷纤维转轮上，使其具有极强吸湿能力。使用此转轮，除湿干燥机可达到-40℃低露点，并可使效能大幅度提升。

The "pollution-free" honeycomb rotor is coated with molecular sieves and silica gel that are strongly bonded to ceramic fibers inside the rotor by special chemical crystallization. With the rotor, the dryer can provide low dew-point (-40degree), and performs all of these processes more quickly and more efficiently than any other dryer available.



HEPA过滤器 HEPA Filter

使用高效能之HEAP过滤器 (0.3um/99.99%) 以防止任何污染。

The unit uses a high-performance HEPA filter (0.3um/99.99%) as drying filter to prevent any contamination.



光学级管路 Piping

光学级管路，可防止输送原料时遭受污染。

All piping work is for sanitary applications to prevent contamination when conveying the dry material.

● 规格表 Specification Sheet

产品型号 Model		TDB-25C	TDB-50C	TDB-75C	TDB-100C	TDB-150C	TDB-200C	TDB-300C
料桶容量 Hopper Capacity	KG	25	50	75	100	150	200	300
除湿风量 Dehumidifying Air	CMH	50	50	50	80	120	200	200
干燥电热功率 Drying Heater Capacity	KW	2.5	2.5	4	6	9	12	15
干燥风机功率 Drying Blower Capacity	KW	0.25	0.37	0.37	0.75	1.1	2.2	2.2
再生电热功率 Regen. Heate Capacity	KW	2.5	2.5	2.5	3	4	6	6
再生风机功率 Regen Motor Capacity	KW	0.18	0.18	0.18	0.25	0.37	0.55	0.55
输送风机功率 Conveying Blower Capacity	KW	1.1	1.1	0.75	1.1	1.1	1.5	1.5
系统电源 Power Supply	V	380VAC 3P/PE 50Hz						
控制电源 Control Voltage	V	220VAC 1P/PE 50Hz						
总功率 Total Power	KW	7.03	7.13	8.8	12.1	16.57	23.25	26.25
电源线规格 Wires Specifications	mm2	4 × 4				4 × 6	4 × 10	
电源线长度 Wires Length	M	5						
露点 Dew point	℃	- 40℃以下 Below -40						
料管口径 Material Pipe Size	inch	1.5						
料斗(成型机上) Hopper Receiver		SR3E-40			SR6E-40			SR12E-40
机器重量 Weight	KG	242.5	257.5	231.5	312.5	454.5	554	650
选配 Option		1.露点显示 Dew-point Indicators 2.旋风分离器 Cyclone Separatort						

注：产品规格若有变更，恕不另行通知 We reserve right to change specifications without prior notice.

有关产品性质和适用范围的说明并不保证产品属性，仅作可供了解的信息。我们的供货范围及提供的服务完全以合同条款为准绳。技术数据和插图仅作为供货参考。保留更改权利。

Feature and scope of the product does not guarantee the product attributes, only for reference. Our scope of delivery and services provided are based solely on the terms of delivery and services provided are based solely on the terms of the contract. Technical data and illustration are only for reference. We reserve the rights of changing.

TSD-2021-12

广东拓斯达科技股份有限公司

GUANGDONG TOPSTAR TECHNOLOGY CO.,LTD.

地址：广东省东莞市大岭山镇大塘朗创新路2号

ADD : No.2 Chuangxin Road, Datanglang, Dalingshan Town, Dongguan City, Guangdong Province.

电话/TEL: 0769-8305 0999 传真/FAX: 0769-8584 5562

全国统一客服热线 Domestic Service Hotline **400-096-8005**

